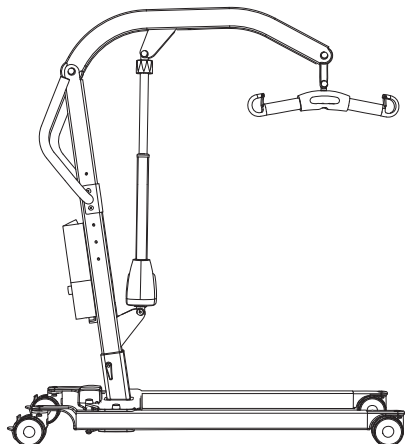


Eva400EE/EM, Eva450EE, Eva600EE

SystemRoMedic™



Re-conditioning - English



Regular inspection

Inspect the lift for signs of wear and damage.

Check all four castor wheels and castor wheel locks.

Check emergency stop function by depressing the emergency stop, and then pressing either the Up or Down button. If nothing happens when the Up or Down buttons are pressed, the emergency stop is functioning properly.

Grasp the handset, press the Up button and run the lift arm all the way up. Then, press the Down button and run the lift arm all the way down.

Test lift function by lifting a person (not a patient) using an approved sling. At the same time, check the emergency lowering function with someone on the lift. See section on Emergency Lowering in the manual.

If the lift is functioning correctly, connect the charger and check to ensure that the charging lamp on the control box lights up.

General

Read the section in the manual under the heading "Other maintenance details" on daily care and cleaning.

See Periodic Inspection for details on annual inspection of the lift.

Consult the Service Manual when servicing the lift.

Periodic inspection and service must be performed by an authorized technician.



handicare

Contact your local distributor if you have any questions about the product and its use. See www.handicare.com for a complete list of distributors.

Always make sure that you have the right version of the manual. The most recent editions of manuals are available for downloading from our website, www.handicare.com

Handicare AB
Veddestav. 15, Box 640
SE-175 27 Järfälla
SWEDEN

Tel: +46 (0)8-557 62 200
Fax: +46 (0)8-557 62 299
E-mail: info@handicare.se

Internet: www.handicare.com